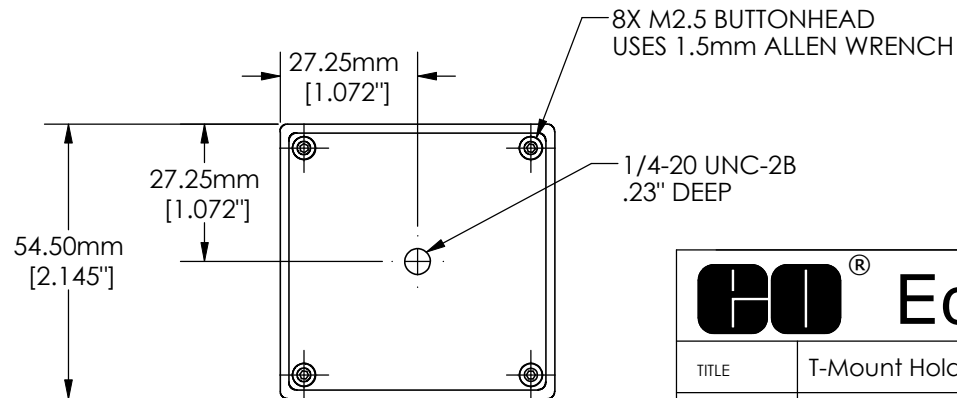
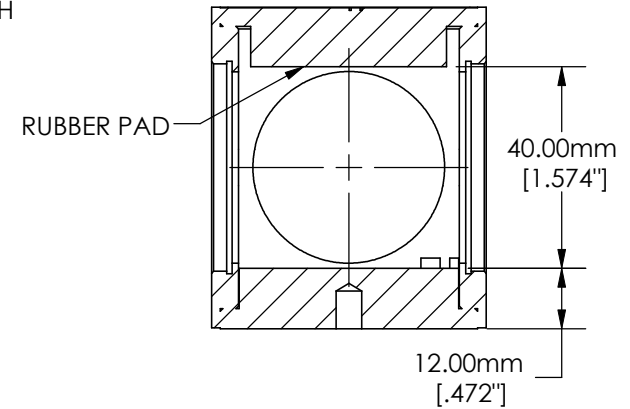
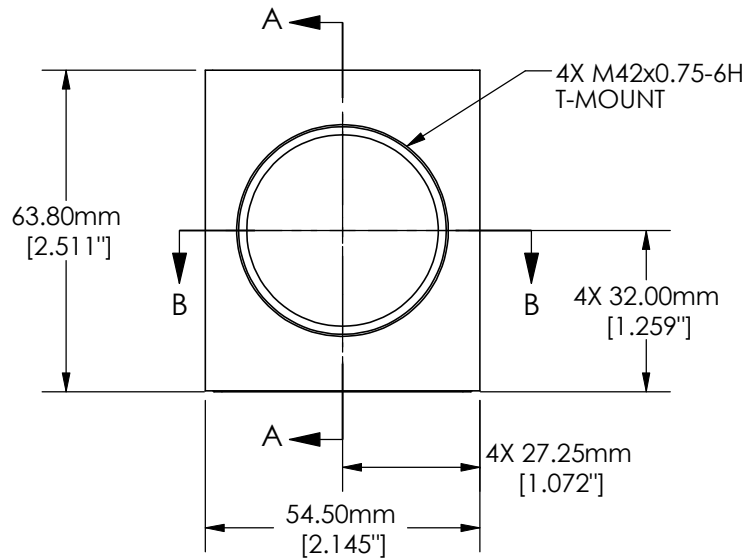
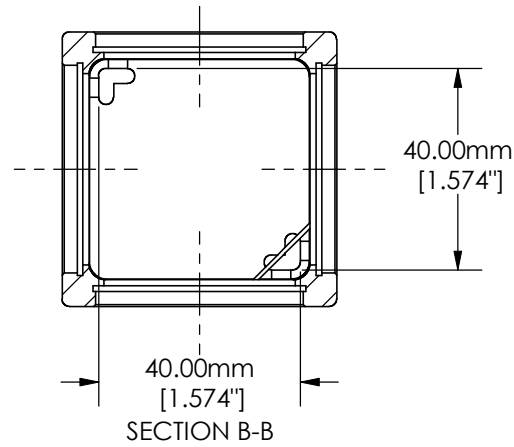


SPECIFICATIONS SUBJECT TO CHANGE WITHOUT NOTICE
DIMENSIONS ARE FOR REFERENCE ONLY



SECTION A-A

EO® **Edmund Optics**®

TITLE	T-Mount Holder for any 40mm Cube Beamsplitter, 1/4-20	
DWG NO	63981	REV 000

Enable 3D View