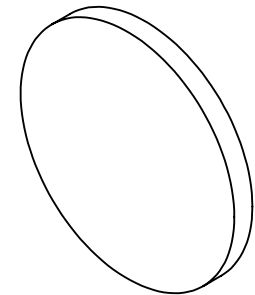


NOTES:

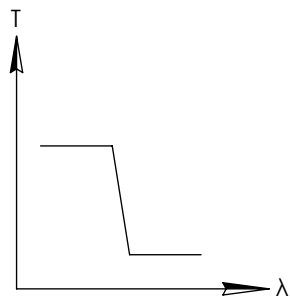
**FOR INFORMATION ONLY:  
DO NOT MANUFACTURE  
PARTS TO THIS DRAWING**



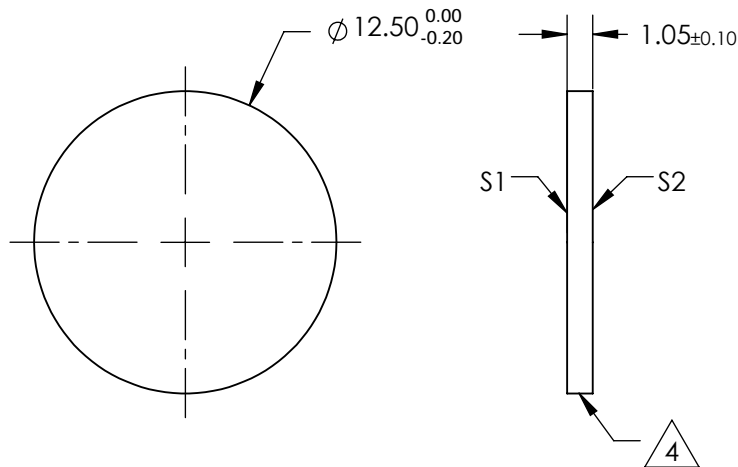
1. SUBSTRATE
  2. SURFACE S2 TO BE PARALLEL WITH SURFACE S1 TO WITHIN 5 arcsec
  3. COATING (APPLY ACROSS COATING APERTURE)  
ENVIRONMENTAL DURABILITY:  
PHYSICAL DURABILITY:  
PERFORMANCE SPECIFICATIONS:  
T(avg): >85% FROM 400 - 725nm FOR RANDOM POLARIZATION @ 45° AOI  
T(abs): 80% FROM 400 - 725nm FOR ALL POLARIZATIONS @ 45° AOI  
R(avg): >97% FROM 800 - 990nm FOR RANDOM POLARIZATION @ 45° AOI  
R(abs): 95% FROM 800 - 990nm FOR ALL POLARIZATIONS @ 45° AOI  
T(abs): = 50% 750nm @ 45° AOI
- S1: HARD COATED  
S2: SINGLE LAYER MgF2

4. FINE GRIND SURFACE

5. POWER, IRREGULARITY, AND SURFACE QUALITY SPECIFICATIONS  
APPLY ACROSS CLEAR APERTURE
6. TRANSMITTED WAVEFRONT DISTORTION RMS@ 632.8nm  $\leq \frac{1}{4} \lambda$
7. ROHS COMPLIANT



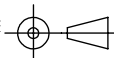
SHORTPASS FILTER



SPECIFICATIONS SUBJECT TO CHANGE WITHOUT NOTICE  
DIMENSIONS ARE FOR REFERENCE ONLY

	S1	S2
SHAPE	PLANO	PLANO
SURFACE QUALITY	60-40	60-40
CLEAR APERTURE	Ø11.00	Ø11.00Ø11.00
COATING APERTURE	Ø11.00	Ø11.00
BEVEL	PROTECTIVE AS NEEDED	PROTECTIVE AS NEEDED

THIRD ANGLE  
PROJECTION



ALL DIMS IN

mm

**EO**® Edmund Optics®

TITLE

Ø12.5mm, 750nm DICHROIC SHORTPASS  
FILTER

DWG NO

69183

SHEET  
1 OF 1