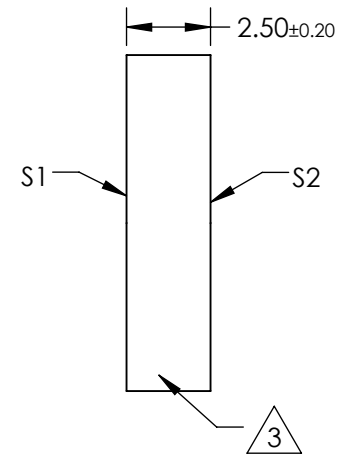
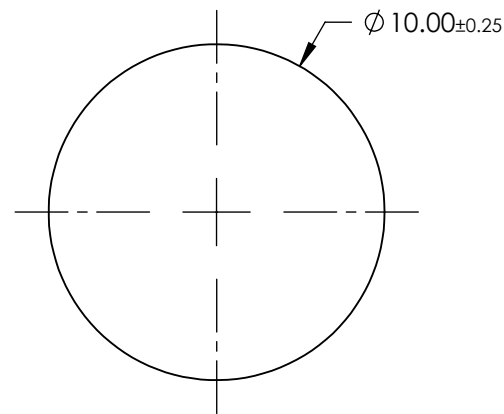
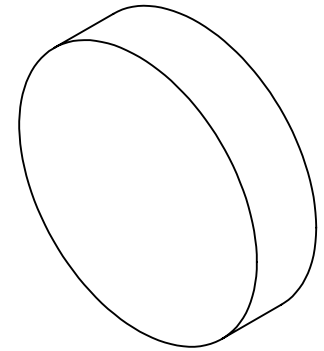


NOTES:

- 1. SUBSTRATE:
OPAL GLASS
- 2. OPAL FLASHING ON SURFACE S2

3. FINE GROUND EDGES

4. RoHS EXEMPT



**FOR INFORMATION ONLY:
DO NOT MANUFACTURE
PARTS TO THIS DRAWING**

SPECIFICATIONS SUBJECT TO CHANGE WITHOUT NOTICE
DIMENSIONS ARE FOR REFERENCE ONLY

EO® Edmund Optics®

	S1	S2	THIRD ANGLE PROJECTION	TITLE	10mm DIAMETER OPAL DIFFUSING GLASS	
SHAPE	PLANO	PLANO		ALL DIMS IN	mm	DWG NO
BEVEL	PROTECTIVE AS NEEDED	PROTECTIVE AS NEEDED				SHEET 1 OF 1