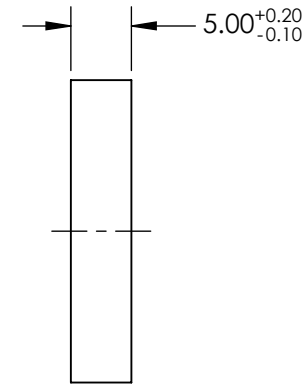
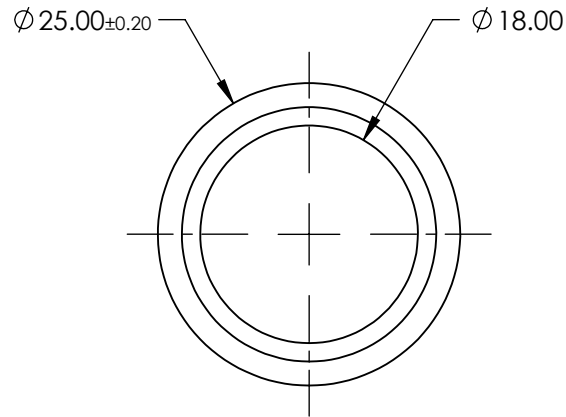
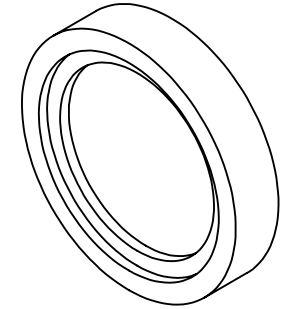


NOTES:

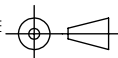
1. SUBSTRATE: GERMANIUM (GE)




**FOR INFORMATION ONLY:  
DO NOT MANUFACTURE  
PARTS TO THIS DRAWING**

SPECIFICATIONS SUBJECT TO CHANGE WITHOUT NOTICE  
DIMENSIONS ARE FOR REFERENCE ONLY

DAMAGE THRESHOLD	50W/cm <sup>2</sup>
EXTINCTION RATIO	300:1 @ 10.6μm
PARALLELISM	≤3 ARCMIN
SURFACE FLATNESS	λ/20 @ 10.6μm
SURFACE QUALITY	60-40
TRANSMISSION	>50% @ 2 - 19μm

THIRD ANGLE PROJECTION 

ALL DIMS IN mm

 **Edmund Optics®**

TITLE: Ø25mm, GE, IR HOLOGRAPHIC WIRE GRID POLARIZER

DWG NO: 62776

SHEET 1 OF 1