

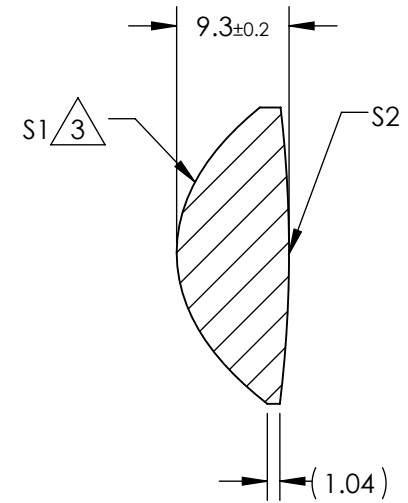
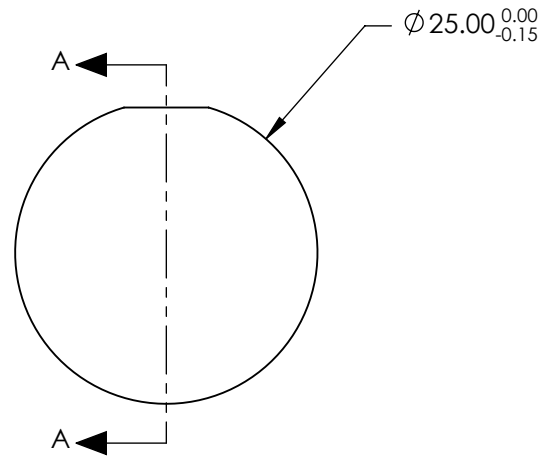
NOTES:

1. SUBSTRATE: GRADE A FINE ANNEALED
ZEONEX: E48R
nd=1.531
vd=56.0
2. COATING
S1: R(avg) <0.7% @ 425 - 675nm
S2: R(avg) <0.7% @ 425 - 675nm

FOR INFORMATION ONLY:
DO NOT MANUFACTURE
PARTS TO THIS DRAWING

3. ASPHERIC SURFACE DESCRIBED BY (REF. COEFFICIENT TABLE)

$$Z_{ASPH}(Y) = \frac{(\frac{1}{RADIUS}) * Y^2}{1 + \sqrt{1 - (1+k) * (\frac{1}{RADIUS})^2 * Y^2}} + D * Y^2 + E * Y^4 + F * Y^6 + G * Y^8 + H * Y^{10} + J * Y^{12} + L * Y^{14}$$



SECTION A-A

COEFFICIENT TABLE $\triangle 3$

COEFFICIENT	S1
k	-2.04
D	0
E	0.00011664432
F	-3.1600492E-007
G	1.2265938E-009
H	-4.6228918E-012
J	6.5644551E-015
L	0

SPECIFICATIONS SUBJECT TO CHANGE WITHOUT NOTICE DIMENSIONS ARE FOR REFERENCE ONLY

REV. A	S1	S2	EFL @ 587.6nm	20	 Edmund Optics®
SHAPE	CONVEX	CONVEX	BFL @ 587.6nm	14.38	
RADIUS	11.47	103.10			TITLE 25mm DIAMETER X 20mm FL, VIS COATED, PLASTIC ASPHERIC LENS
SURFACE QUALITY	80-50	80-50			
CLEAR APERTURE	Ø 23	Ø 23	ALL DIMS IN mm		DWG NO 66014
BEVEL MAX	PROTECTIVE AS NEEDED	PROTECTIVE AS NEEDED			