

NOTES:

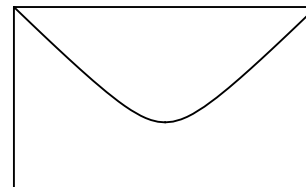
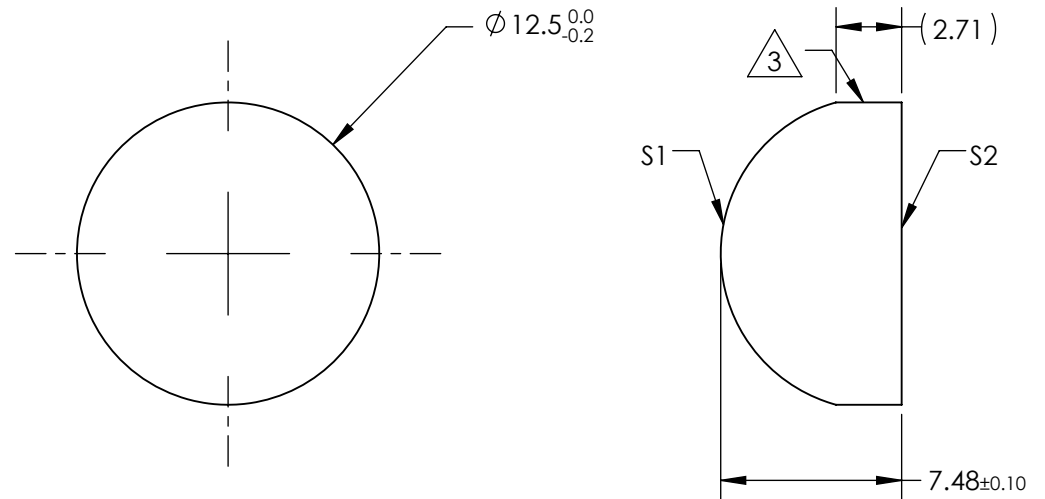
1. SUBSTRATE MATERIAL:
N-BK7
2. COATING (APPLY ACROSS CLEAR APERTURE)

S1 & S2:
LASER V-COAT

R(abs) <0.25% @ 405nm
R(avg) <1.5% @ 375 - 435nm


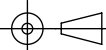
 3. FINE GROUND SURFACE

4. POWER, IRREGULARITY, AND SURFACE QUALITY SPECIFICATIONS APPLY ACROSS CLEAR APERTURE
5. RoHS COMPLIANT



**FOR INFORMATION ONLY:
DO NOT MANUFACTURE
PARTS TO THIS DRAWING**

SPECIFICATIONS SUBJECT TO CHANGE WITHOUT NOTICE
DIMENSIONS ARE FOR REFERENCE ONLY

REV. A	S1	S2	EFL	12.5±3%	 Edmund Optics®	
SHAPE	CONVEX	PLANO	BFL	(7.57)		
RADIUS	6.48	∞	THIRD ANGLE PROJECTION 		TITLE	12.5mm DIA X 12.5mm FL 405nm V-COAT, CYLINDER LENS
SURFACE QUALITY	60-40	60-40			ALL DIMS IN	mm
CLEAR APERTURE	∅ 11.50	∅ 11.50				SHEET 1 OF 1
COATING APERTURE	∅ 11.50	∅ 11.50				
BEVEL	PROTECTED AS NEEDED	PROTECTED AS NEEDED				