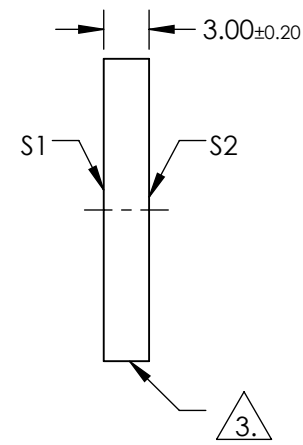
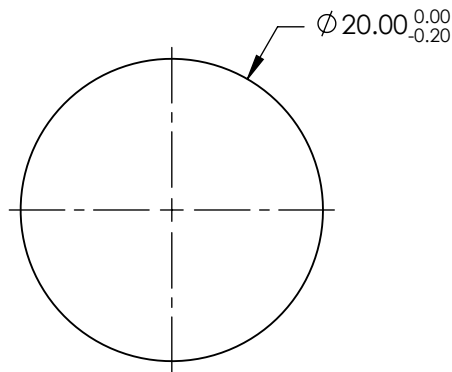


NOTES:

1. SUBSTRATE:
FUSED SILICA
2. COATING (APPLY ACROSS COATING APERTURE):
S1: $R(AVG) \geq 98\%$ @ 340-488nm @ 0° AOI
 $R(AVG) \geq 98\%$ @ 320-450nm @ 45° AOI FOR ALL POLARIZATION
 $R(AVG) \geq 98\%$ @ 320-450nm @ 45° FOR S-POLARIZATION
S2: NONE

3. FINE GRIND SURFACE

**FOR INFORMATION ONLY:
DO NOT MANUFACTURE
PARTS TO THIS DRAWING**



SPECIFICATIONS SUBJECT TO CHANGE WITHOUT NOTICE
DIMENSIONS ARE FOR REFERENCE ONLY

	S1	S2
SHAPE	PLANO	PLANO
CLEAR APERTURE	> 90	N/A
SURFACE QUALITY	20-10	COMMERCIAL POLISH
SURFACE FLATNESS	$\lambda/10$	N/A
BEVEL	PROTECTIVE AS NEEDED	PROTECTIVE AS NEEDED

THIRD ANGLE PROJECTION

ALL DIMS IN

mm

Edmund Optics®

TITLE

Ø20mm, 320 - 450nm BROADBAND $\lambda/10$
MIRROR

DWG NO

37563

SHEET
1 OF 1