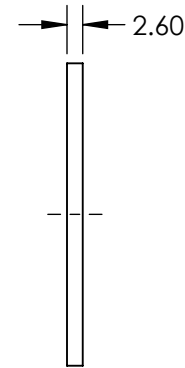
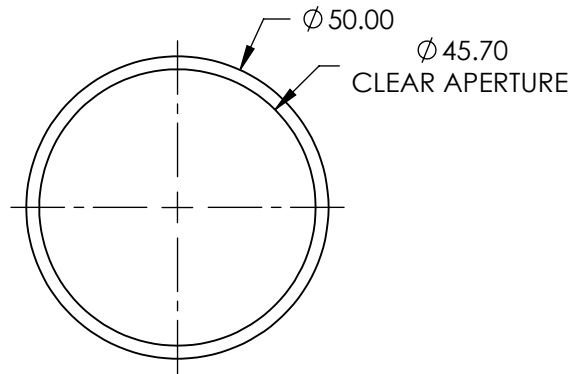
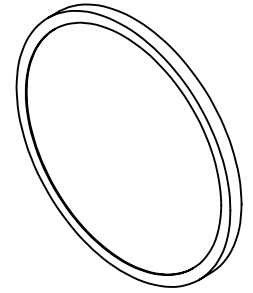


**FOR INFORMATION ONLY:  
DO NOT MANUFACTURE  
PARTS TO THIS DRAWING**



ANGLE TOLERANCE (°)	±1
DIFFUSING ANGLE (°)	0.5 (FWHM)
DAMAGE THRESHOLD, PULSED	0.22 J/cm <sup>2</sup> @ 1064nm @ 10ns
OPERATING TEMPERATURE (°C)	-30 to +100 (Maximum of 240 Hours)
SUBSTRATE	Polycarbonate
TRANSMISSION (%)	>85
WAVELENGTH RANGE (nm)	400 - 1600
RoHS	COMPLIANT

SPECIFICATIONS SUBJECT TO CHANGE WITHOUT NOTICE  
DIMENSIONS ARE FOR REFERENCE ONLY

**EO**® **Edmund Optics**®



ALL DIMS IN

mm

TITLE

0.5° Diffusing Angle 50mm Dia Mounted

DWG NO

47989

SHEET  
1 OF 1