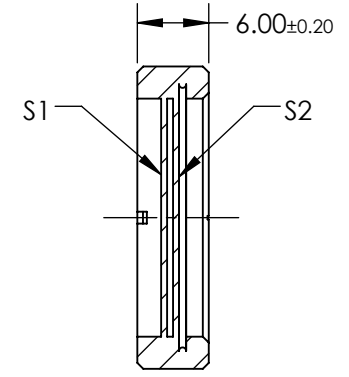
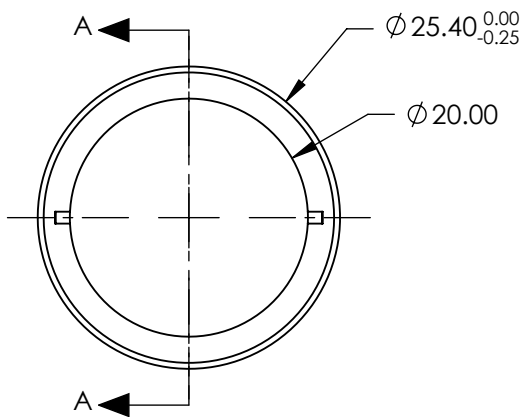


NOTES:

1. SUBSTRATE:  
Crystal Quartz and MgF2
2. COATING (APPLY ACROSS COATING APERTURE):  
S1 & S2: R(AVG) <0.75% @ 450 - 650nm  
  
DAMAGE THRESHOLD,  
PULSED: >5 J/cm<sup>2</sup>, 10ns @ 10Hz @ 1064nm
3. SURFACE S1 TO BE PARALLEL TO SURFACE S2 TO WITHIN <10 ARCSEC
4. RETARDANCE:  $\lambda/4 \pm \lambda/100$  @ 20°C
5. DESIGN WAVELENGTH: 450 - 650 nm
6. TRANSMITTED WAVEFRONT: < $\lambda/4$  @ 632nm
7. CONSTRUCTION: Crystalline
8. ROHS: COMPLIANT

**FOR INFORMATION ONLY:  
DO NOT MANUFACTURE  
PARTS TO THIS DRAWING**



SECTION A-A

SPECIFICATIONS SUBJECT TO CHANGE WITHOUT NOTICE  
DIMENSIONS ARE FOR REFERENCE ONLY



	S1	S2
SURFACE QUALITY	40-20	40-20
CLEAR APERTURE	>Ø20	>Ø20

THIRD ANGLE PROJECTION	TITLE	25.4mm Dia, 450 - 650nm, $\lambda/4$ Achromatic Waveplate	
ALL DIMS IN mm	DWG NO	39032	SHEET 1 OF 1