

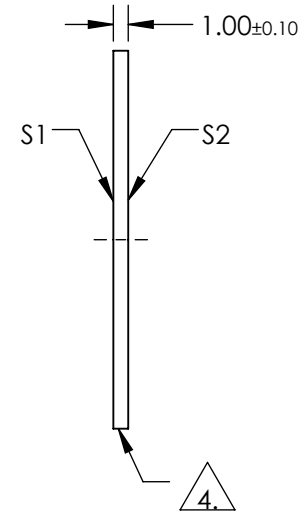
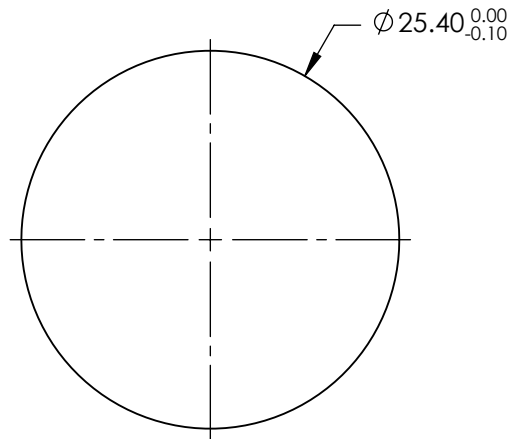
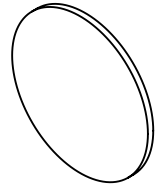
NOTES:

1. SUBSTRATE: ZnSe
2. SURFACE S2 TO BE PARALLEL TO SURFACE S1 TO WITHIN < 3 ARCMIN
3. COATING (APPLY ACROSS COATING APERTURE)

S1 & S2: NONE

4. FINE GRIND SURFACE

5. RoHS: COMPLIANT



**FOR INFORMATION ONLY:
DO NOT MANUFACTURE
PARTS TO THIS DRAWING**

SPECIFICATIONS SUBJECT TO CHANGE WITHOUT NOTICE
DIMENSIONS ARE FOR REFERENCE ONLY

	S1	S2	Edmund Optics®			
SHAPE	PLANO	PLANO				
SURFACE QUALITY	40-20	40-20				
SURFACE FLATNESS @ 10.6µm	λ/20	λ/20	TITLE	25.4mm DIA x 1mm THICK UNCOATED ZnSe WINDOW		
CLEAR APERTURE	Ø22.86	Ø22.86	DWG NO	39394		
BEVEL	PROTECTIVE AS NEEDED	PROTECTIVE AS NEEDED	ALL DIMS IN	mm	SHEET 1 OF 1	