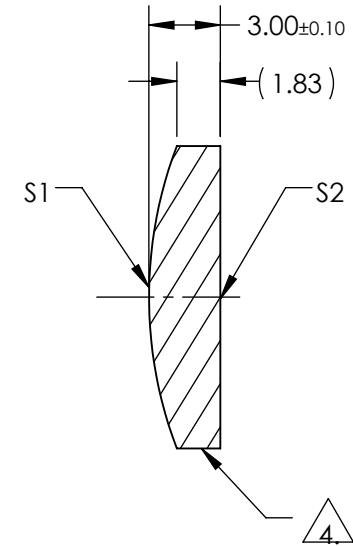
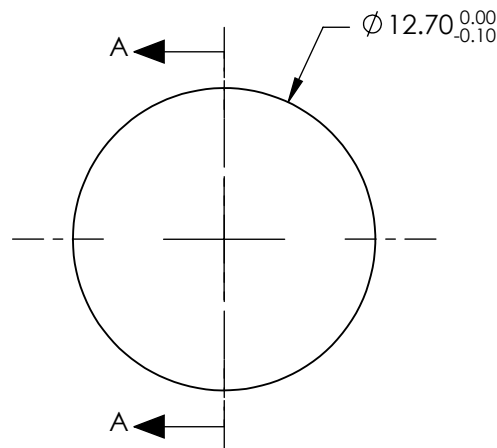


NOTES:

1. SUBSTRATE:
II-VI Infrared ZnSe
2. CENTERING TOLERANCE:
EDGE THICKNESS VARIATION MEASURED AT THE CLEAR APERTURE OF S1
NOT TO EXCEED 50.8µm
3. COATING (APPLY ACROSS COATING APERTURE)
S1 & S2: NONE

4. FINE GROUND SURFACE

5. POWER, IRREGULARITY, AND SURFACE QUALITY SPECIFICATIONS APPLY
ACROSS CLEAR APERTURE
6. WAVELENGTH RANGE: 600 - 18000nm
7. SURFACE ROUGHNESS: <50 Å
8. ROHS: COMPLIANT



SECTION A-A

**FOR INFORMATION ONLY:
DO NOT MANUFACTURE
PARTS TO THIS DRAWING**

SPECIFICATIONS SUBJECT TO CHANGE WITHOUT NOTICE
DIMENSIONS ARE FOR REFERENCE ONLY

	S1	S2			Edmund Optics®			
SHAPE	CONVEX	PLANO	EFL (AT 10.6 microns)	12.70	THIRD ANGLE PROJECTION	TITLE	12.7mm Dia. x 12.7mm FL, Uncoated, ZnSe Plano-Convex Lens	
RADIUS	17.814	INFINITY	BFL (AT 10.6 microns)	11.45				
SURFACE QUALITY	40-20	40-20			ALL DIMS IN	mm	DWG NO	39519
CLEAR APERTURE	90%	90%						
POWER at 10.6µm	λ/10	λ/10						
IRREGULARITY at 10.6µm	λ/20	λ/20						
BEVEL	PROTECTIVE AS NEEDED	PROTECTIVE AS NEEDED			SHEET 1 OF 1			