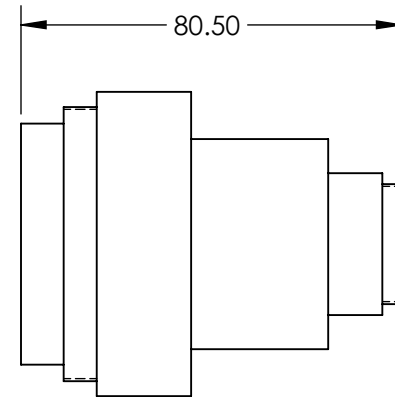
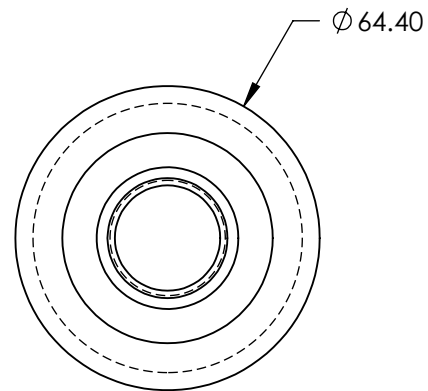


NOTES:

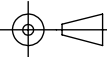
- 1. ROHS COMPLIANT



SPECIFICATIONS SUBJECT TO CHANGE WITHOUT NOTICE
DIMENSIONS ARE FOR REFERENCE ONLY

**FOR INFORMATION ONLY:
DO NOT MANUFACTURE
PARTS TO THIS DRAWING**

EO[®] Edmund Optics[®]

THIRD ANGLE PROJECTION 		TITLE	Olympus C-Mount Adapter	
ALL DIMS IN	mm	DWG NO	89606	SHEET 1 OF 1