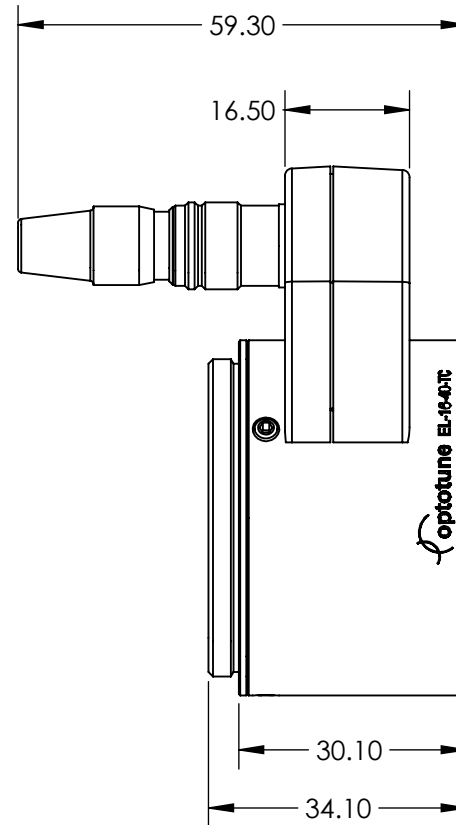
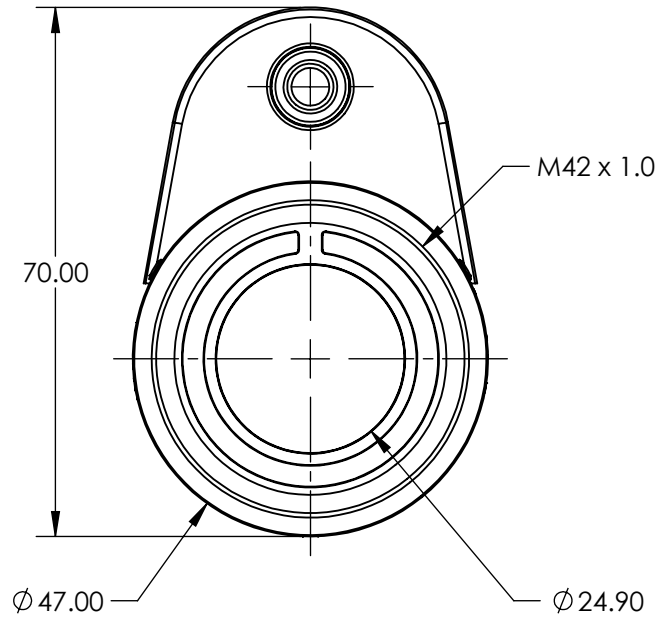
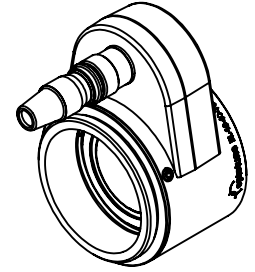


NOTES:

1. COATING:
BBAR (420 - 950nm)
2. TRANSMITTED WAVEFRONT ERROR, RMS:
VERTICAL: 0.25λ @ 525nm
HORIZONTAL: 0.50λ @ 525nm
3. RoHS: COMPLIANT



**FOR INFORMATION ONLY:
DO NOT MANUFACTURE
PARTS TO THIS DRAWING**

SPECIFICATIONS SUBJECT TO CHANGE WITHOUT NOTICE
DIMENSIONS ARE FOR REFERENCE ONLY

	VALUE
INDEX OF REFRACTION	1.3
POWER CONSUMPTION (W)	0 - 0.70
WAVELENGTH RANGE (nm)	420 - 950
TUNING RANGE (DIOPTERS)	-2 TO +3
SETTLING TIME (ms)	25 (TYP @ 30°C)



ALL DIMS IN

mm

EO® Edmund Optics®

TITLE

-2 TO +3 DIOPTER, M42 x 1.0 TO M42 x 1.0
FOCUS TUNABLE LENS

DWG NO

33495

SHEET
1 OF 1