

NOTES:

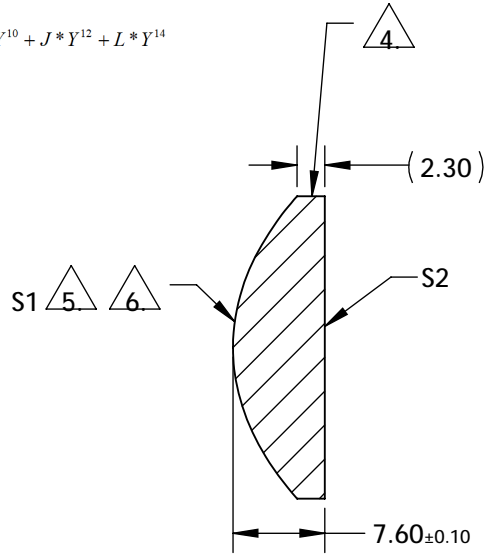
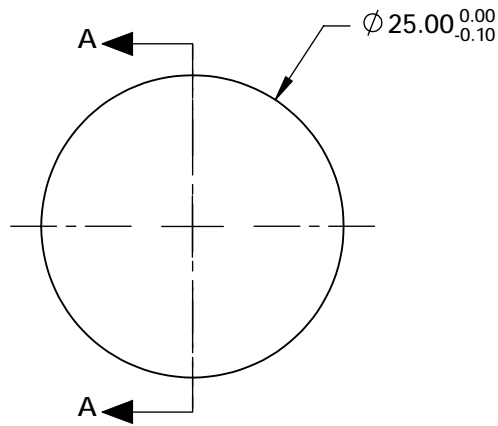
1. SUBSTRATE:
S-LAH64
2. CENTERING TOLERANCE (AT 587.6nm):
BEAM DEVIATION (HALF ANGLE): <3 arcmin
3. COATING (APPLY ACROSS COATING APERTURE)
S1: NIR (600-1050nm)
Ravg < 0.5% @ 600 - 1050nm @ ±30° AOI
Rabs < 1.5% @ 600 - 1050nm @ ±30° AOI
S2: NIR (600-1050nm)
Ravg < 0.5% @ 600 - 1050nm @ ±30° AOI
Rabs < 1.5% @ 600 - 1050nm @ ±30° AOI

4. EDGES: FINE GROUND

5. ASPHERIC FIGURE ERROR: 0.75 μm RMS

6. ASPHERIC SURFACE DESCRIBED BY (REF. COEFFICIENT TABLE):

$$Z_{ASPH}(Y) = \frac{(1/RADIUS) * Y^2}{1 + \sqrt{1 - (1+k) * (1/RADIUS)^2 * Y^2}} + D * Y^2 + E * Y^4 + F * Y^6 + G * Y^8 + H * Y^{10} + J * Y^{12} + L * Y^{14}$$



SECTION A-A

**FOR INFORMATION ONLY:
DO NOT MANUFACTURE
PARTS TO THIS DRAWING**

SPECIFICATIONS SUBJECT TO CHANGE WITHOUT NOTICE
DIMENSIONS ARE FOR REFERENCE ONLY

COEFFICIENT TABLE 6.

COEFFICIENT	S1
SEMI-DIAMETER	1.250000E+01
(1/RADIUS)	6.43500644E-02
k	-1.005000E+00
D	0.000000E+00
E	1.212640E-05
F	-2.868960E-09
G	1.841910E-11
H	-2.151280E-14
J	6.211730E-17
L	0.000000E+00

	S1	S2					
SHAPE	CONVEX	PLANO	BFL @ 780nm: 15.73				
RADIUS	15.540	INFINITY					
SURFACE QUALITY	40-20	40-20	THIRD ANGLE PROJECTION				
CLEAR APERTURE	22.5 mm	22.5 mm	TITLE 25mm Dia., 0.63 NA, 600-1050nm Coated, NIR Aspheric Lens				
BEVEL	PROTECTIVE AS NEEDED	PROTECTIVE AS NEEDED	ALL DIMS IN	mm	DWG NO	16284	SHEET 1 OF 1

Edmund Optics®