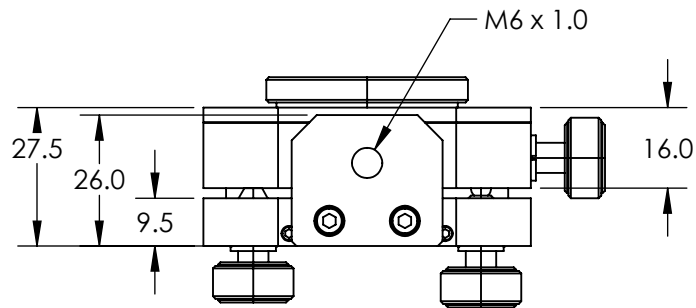
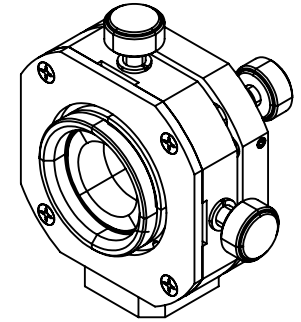
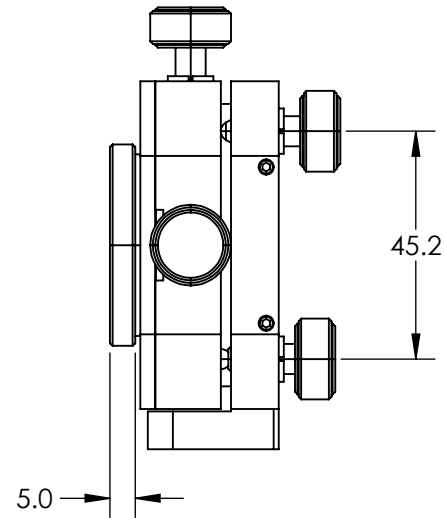
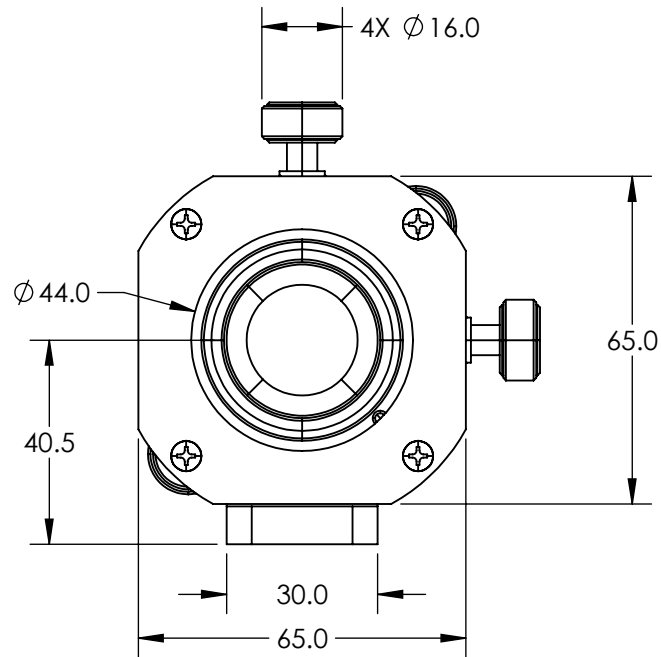


NOTES:

1. ROHS COMPLIANT

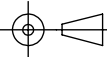


SPECIFICATIONS SUBJECT TO CHANGE WITHOUT NOTICE
DIMENSIONS ARE FOR REFERENCE ONLY

**FOR INFORMATION ONLY:
DO NOT MANUFACTURE
PARTS TO THIS DRAWING**

EO® Edmund Optics®

SIZE OF COMPATIBLE OPTICS (mm)	25.0/25.4
CLEAR APERTURE	Ø 22.0

THIRD ANGLE PROJECTION 	TITLE	25.0/25.4mm Optic Dia., 5 Axes Optical Mount	
	ALL DIMS IN	mm	DWG NO 13776
			SHEET 1 OF 1