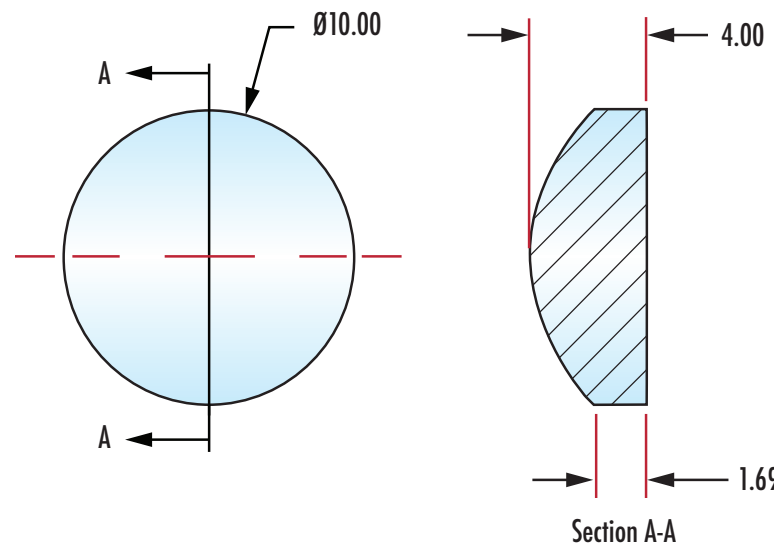


## PRECISION ASPHERIC LENSES

TECHSPEC® CNC Polished Precision Aspheric Lenses with N-BK7 Substrates

**TECHSPEC® Precision Aspheric Lenses** are designed to focus light while eliminating spherical aberration from divergent light sources in applications including focusing the output of a laser diode. Aspheric lenses can increase the numerical aperture of a lens while minimizing system aberrations. Aspheric lenses may also reduce the number of elements needed in a multi-element system. Aspheric lenses can reduce overall system weight while providing advantages such as increasing throughput or simplifying assembly. **TECHSPEC® Precision Aspheric Lenses** feature low f/#'s for optimum light gathering performance. Prescription data is available to easily integrate these aspheric lenses into an optical system. These lenses have also been computer optimized to eliminate spherical aberration while minimizing higher order aberrations. VIS coating option provides less than 1.5% reflection from 425 – 675nm. NIR coating option provides less than 1.5% reflection from 600 – 1050nm. Contact our sales department for volume pricing or for help specifying a custom aspheric lens.

Sample Drawing (#69857)



FEATURES
CNC Polished
Eliminate Spherical Aberrations
0.75µm RMS Aspheric Figure Error
60-40 Surface Quality
5mm – 200mm Diameter Options
High Numerical Apertures
Designed, Specified, and/or Manufactured by Edmund Optics®

APPLICATIONS
Laser Equipment
Detectors
Cytometers/Cell Counters
Spectrometry
Surgical Systems
Test Equipment
Imaging (Inspection, Cameras, OCT, Fluorescence)

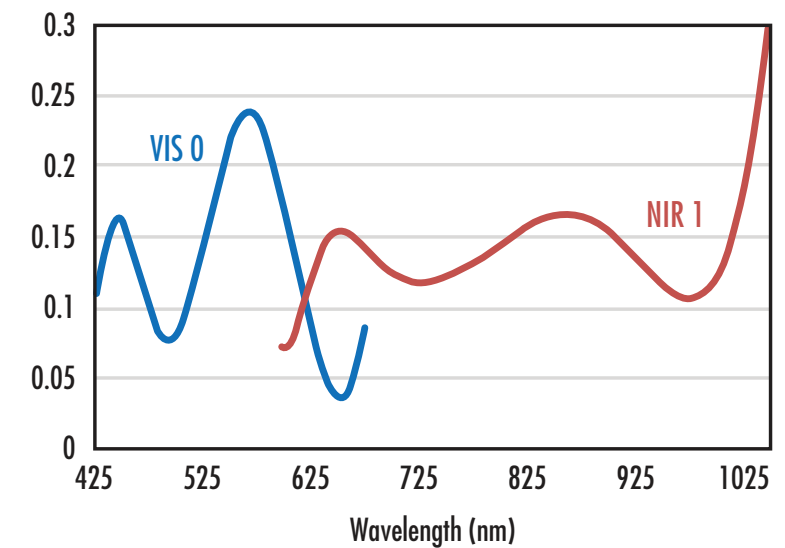
COMMON CHARACTERISTICS	
Design Wavelength	587.6nm
Clear Aperture	90%
Conjugate Distance	Infinite
RoHS	Compliant

### UNIQUE SPECIFICATIONS

Parameter	Lower Cost	This Family	Higher precision
	Plano-Convex (PCX) Lenses	Precision	High-Precision
Asphere Figure Error @ 632.8nm (µm RMS)	N/A	0.75	0.25
Surface Quality	40-20	60-40	40-20
Diameter Tolerance	+0.0/-0.025	+0.0/-0.1	+0.00/-0.025
Material	N-LASF9/44, N-BAF10, N-BK7, N-SF5/11	L-BAL35, N-SF6, N-BK7	N-SF5, N-SF6, N-BK7
Surface Type	Spherical	Aspheric	Aspheric

### STANDARD COATING OPTIONS

Coating Name	Spectral Range (nm)	Reflection	Environmental Conditions
VIS 0°	425-675	R <sub>avg</sub> < 1.5%	MIL-PRF-13830B: Pass per C.3.8.4
NIR I	600-1050	R <sub>avg</sub> < 1.5%	MIL-PRF-13830B: Pass per C.3.8.4



Custom coating options for all products are available upon request.