

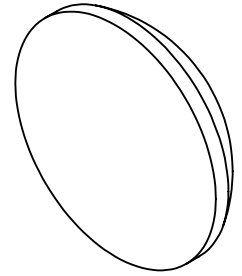
NOTES:

1. SUBSTRATE:
N-SF5
2. COATING (APPLY ACROSS CLEAR APERTURE)

S1 & S2: VIS (425 - 625nm)
Ravg ≤ 1.5% @ 425 - 675nm
3. EDGES: FINE GROUND
4. CENTERING: ≤ 5
5. ASPHERE FIGURE ERROR: 1.2λ

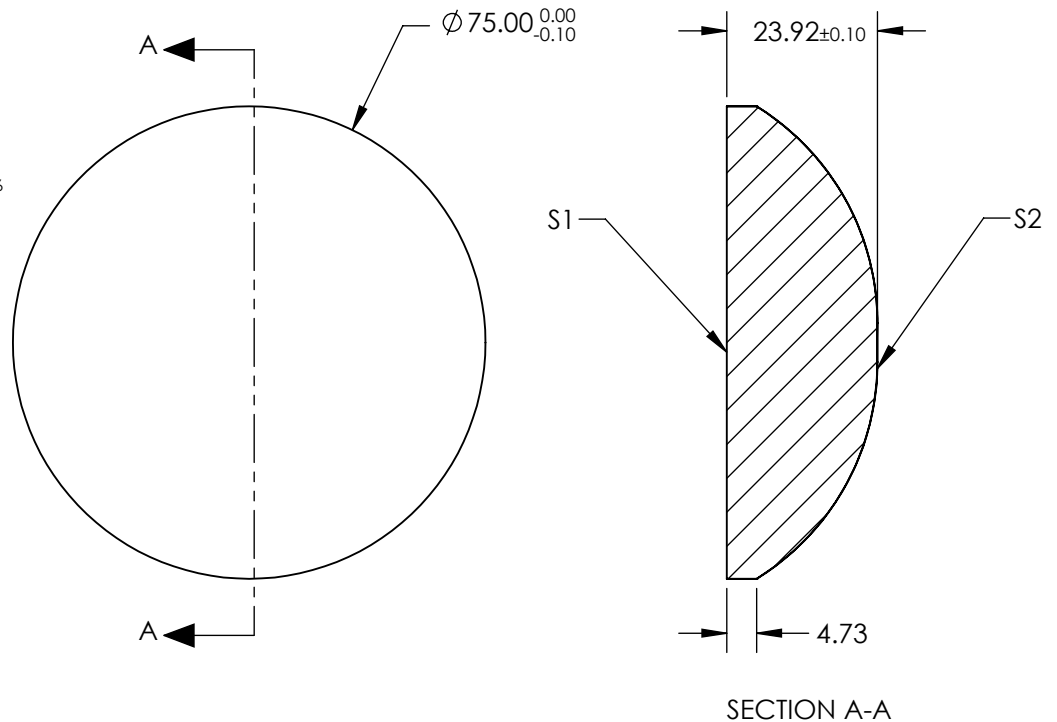
**FOR INFORMATION ONLY:
DO NOT MANUFACTURE
PARTS TO THIS DRAWING**

SPECIFICATIONS SUBJECT TO CHANGE WITHOUT NOTICE
DIMENSIONS ARE FOR REFERENCE ONLY



6. ROHS COMPLIANT

$$Z(Y) = \frac{\left(\frac{1}{\text{RADIUS}}\right) * Y^2}{1 + \sqrt{1 - (1+k) * \left(\frac{1}{\text{RADIUS}}\right)^2 * Y^2}} + D * Y^2 + E * Y^4 + F * Y^6 + G * Y^8 + H * Y^{10} + J * Y^{12} + L * Y^{14} + M * Y^{16}$$



| COEFFICIENT TABLE | |
|-------------------|---------------|
| COEFFICIENT | S2 |
| RADIUS | 40.363 |
| k | -8.770000E-01 |
| D | 0.000000E+00 |
| E | 5.660000E-07 |
| F | 3.320000E-11 |
| G | -7.170000E-15 |
| H | -4.420000E-18 |
| J | 3.100000E-22 |
| L | 0.000000E+00 |
| M | 0.000000E+00 |

| | S1 | S2 |
|-----------------|---------------------|---------------------|
| SHAPE | PLANO | CONVEX |
| RADIUS | INFINITY | 40.363 |
| SURFACE QUALITY | 60-40 | 60-40 |
| CLEAR APERTURE | Ø 67.5 | Ø 67.5 |
| BEVEL | PROTECTED AS NEEDED | PROTECTED AS NEEDED |

THIRD ANGLE PROJECTION

ALL DIMS IN

mm

Edmund Optics®

TITLE

75mm Dia., 0.63 Numerical Aperture VIS
Coated, Aspheric Lens

DWG NO

22706

SHEET
3 OF 18