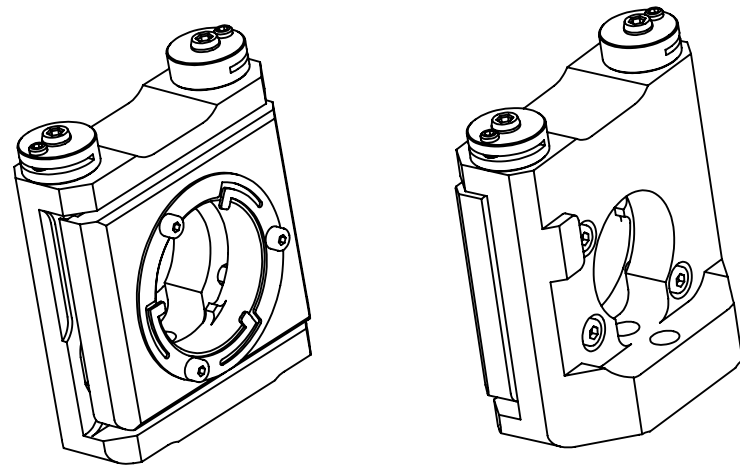
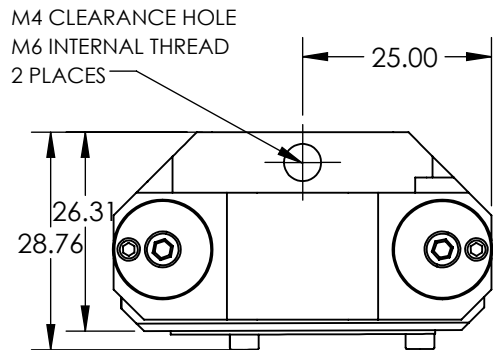


OPTICS MOUNTING SCREWS  
1.5mm HEX SETSCREW  
3 PLACES

ACCEPTS Ø 25.4mm OPTICS  
Thickness 6.35 ± 0.2mm



SPECIFICATIONS SUBJECT TO CHANGE WITHOUT NOTICE  
DIMENSIONS ARE FOR REFERENCE ONLY

**FOR INFORMATION ONLY:  
DO NOT MANUFACTURE  
PARTS TO THIS DRAWING**

**EO**® Edmund Optics®

THIRD ANGLE PROJECTION		TITLE	25.0/25.4mm Optic Dia., Low Wavefront Distortion, Top Adjust Kinematic Mount, 2-Screws	
ALL DIMS IN	mm	DWG NO	28750	SHEET 1 OF 1