

NOTES:

1. SUBSTRATE:
N-BK7

2. COATING (APPLY ACROSS CLEAR APERTURE)

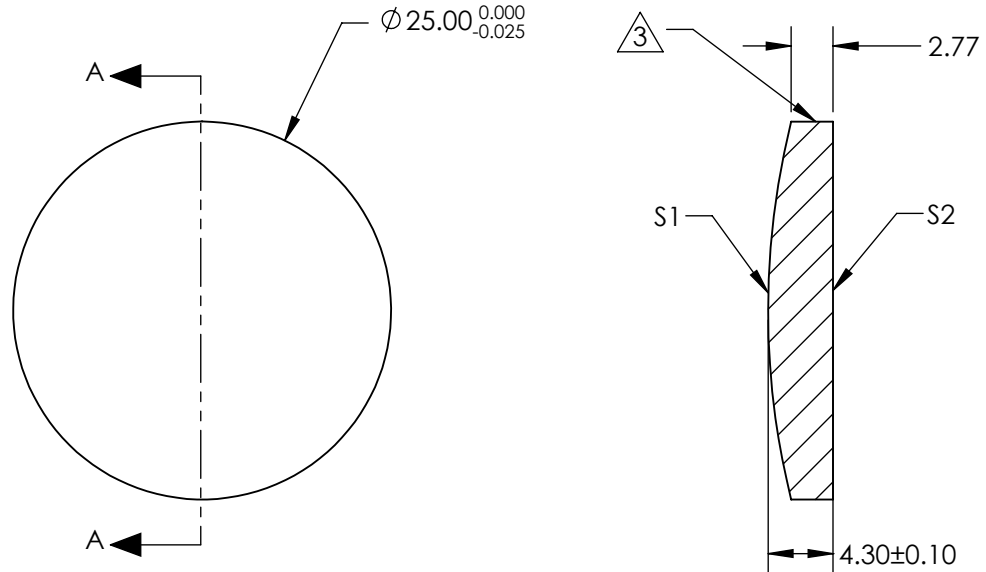
S1 & S2: BBAR (1650-3000nm)
R(AVG) <1% FROM 1650 - 3000nm @ 0° AOI
R(ABS) <2% FROM 1650 - 3000nm @ 0° AOI

3. FINE GRIND SURFACE

5. POWER, IRREGULARITY, AND SURFACE QUALITY SPECIFICATIONS
APPLY ACROSS CLEAR APERTURE

6. FOCAL LENGTH (EFL): 100.00mm±1%
BACK FOCAL LENGTH (BFL): 97.21mm

7. ROHS COMPLIANT



**FOR INFORMATION ONLY:
DO NOT MANUFACTURE
PARTS TO THIS DRAWING**

	S1	S2
SHAPE	CONVEX	PLANO
RADIUS	51.68	INFINITY
SURFACE QUALITY	40 - 20	40 - 20
CLEAR APERTURE	$\phi 22.50$	$\phi 22.50$
POWER AT 632.8nm	3.00 RINGS	3.00 RINGS
IRREGULARITY AT 632.8nm	0.50 RINGS	0.50 RINGS
BEVEL	PROTECTED AS NEEDED	PROTECTED AS NEEDED

SPECIFICATIONS SUBJECT TO CHANGE WITHOUT NOTICE
DIMENSIONS ARE FOR REFERENCE ONLY

EO® Edmund Optics®



ALL DIMS IN

mm

TITLE

25mm Dia. x 100mm FL, SWIR Coated N-BK7
PCX Lens

DWG NO

70272

SHEET
8 OF 15